

Smart String Inverter



Higher Revenue

Max. efficiency 98.65%



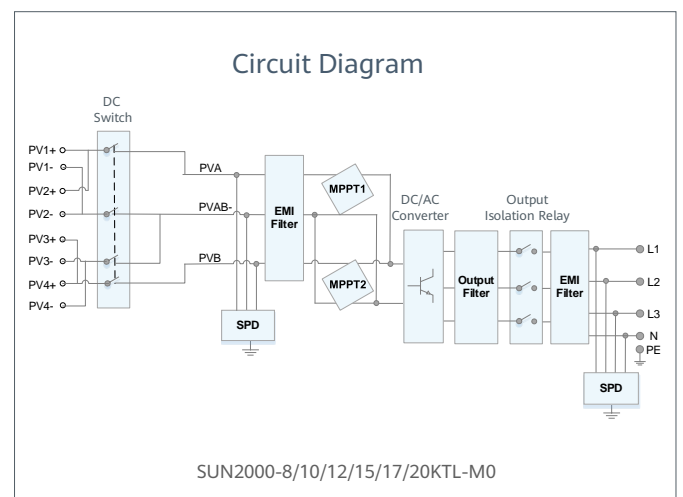
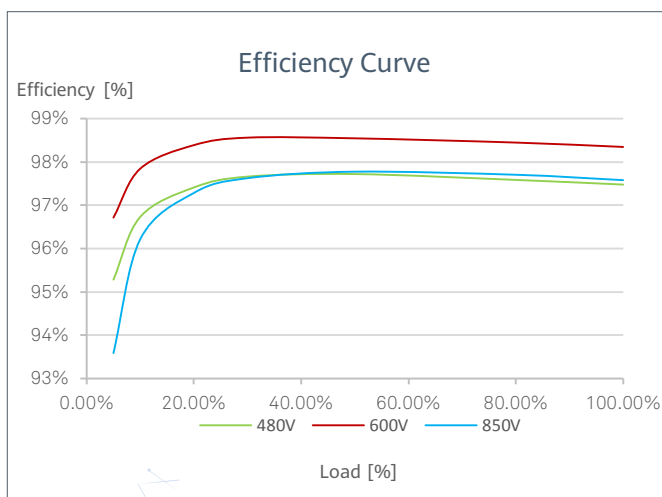
Simple & Easy

25 kg



Safe & Reliable

Built-in Arc fault protection



SUN2000-8/10/12/15/17/20KTL-M0

Technical Specification

| Technical Specification | SUN2000 -8KTL-M0 | SUN2000 -10KTL-M0 | SUN2000 -12KTL-M0 | SUN2000 -15KTL-M0 | SUN2000 -17KTL-M0 | SUN2000 -20KTL-M0 |
|-------------------------|---------------------|----------------------|----------------------|----------------------|----------------------|----------------------|
|-------------------------|---------------------|----------------------|----------------------|----------------------|----------------------|----------------------|

Efficiency

| | | | | | | |
|------------------------------|--------|--------|--------|--------|--------|--------|
| Max. efficiency | 98.50% | 98.50% | 98.50% | 98.65% | 98.65% | 98.65% |
| European weighted efficiency | 98.00% | 98.00% | 98.00% | 98.30% | 98.30% | 98.30% |

Input

| | | | | | | |
|--------------------------------------|---------------|-----------|-----------|-----------|-----------|-----------|
| Recommended max. PV power | 16,000 Wp | 20,000 Wp | 24,000 Wp | 29,760 Wp | 29,760 Wp | 29,760 Wp |
| Max. input voltage ¹ | 1,080 V | | | | | |
| Operating voltage range ² | 160 V ~ 950 V | | | | | |
| Start voltage | 200 V | | | | | |
| Rated input voltage | 600 V | | | | | |
| Max. input current per MPPT | 22 A | | | | | |
| Max. short-circuit current | 30 A | | | | | |
| Number of MPP trackers | 2 | | | | | |
| Max. number of inputs | 4 | | | | | |

Output

| | Three phase | | | | | |
|--------------------------------|---|-----------|-----------|-----------|-----------|-----------|
| Rated output power | 8,000 W | 10,000 W | 12,000 W | 15,000 W | 17,000 W | 20,000 W |
| Max. apparent power | 8,800 VA | 11,000 VA | 13,200 VA | 16,500 VA | 18,700 VA | 22,000 VA |
| Rated output voltage | 220 Vac / 380 Vac, 230 Vac / 400 Vac, 3W + N + PE | | | | | |
| Rated AC grid frequency | 50 Hz / 60 Hz | | | | | |
| Max. output current | 13.4 A | 17 A | 20 A | 25.2 A | 28.5 A | 33.5 A |
| Adjustable power factor | 0.8 leading ... 0.8 lagging | | | | | |
| Max. total harmonic distortion | ≤ 3 % | | | | | |

Features & Protections

| | |
|----------------------------------|-----|
| Input-side disconnection device | Yes |
| Anti-islanding protection | Yes |
| AC over-current protection | Yes |
| AC short-circuit protection | Yes |
| AC over-voltage protection | Yes |
| DC reverse-polarity protection | Yes |
| DC surge protection ³ | Yes |
| AC surge protection ³ | Yes |
| Residual current monitoring unit | Yes |
| Arc fault protection | Yes |
| Ripple receiver control | Yes |

General Data

| | |
|--|---|
| Operation temperature range | -25 ~ + 60 °C (-13 °F ~ 140 °F) (Derating above 45 °C @ Rated output power) |
| Relative humidity | 0 % RH ~ 100% RH |
| Max. operating altitude | 0 - 4,000 m (13,123 ft.) (Derating above 2000 m) |
| Cooling | Natural Convection |
| Display | LED Indicators |
| Communication | RS485; WLAN/Ethernet via Smart Dongle-WLAN-FE (Optional) 4G / 3G / 2G via Smart Dongle-4G (Optional) |
| Weight (incl. mounting plate) | 25 kg |
| Dimensions (W x H x D) (incl. mounting plate) | 525 x 470 x 262 mm (20.7 x 18.5 x 10.3 inch) |
| Degree of protection | IP65 |
| Nighttime Power Consumption | < 1 W |

Standard Compliance (more available upon request)

| | |
|---------------------------|---|
| Safety | EN/IEC 62109-1, EN/IEC 62109-2, IEC 62116 |
| Grid connection standards | AS/NZS 4777:2015 |

^{*1} The maximum input voltage is the upper limit of the DC voltage. Any higher input DC voltage would probably damage inverter.

^{*2} Any DC input voltage beyond the operating voltage range may result in inverter improper operating.

^{*3} Compatible TYPE II protection class according to EN/IEC 61643-11